



# CA43 THERMOSTATIC CARTRIDGE

The complete VERNET technology within a single temperature regulation unit



■ **VERNET TECHNOLOGY:**

With a specially optimised thermostatic element and a highly advanced design of the regulation components, Vernet has developed the CA43 cartridge to give you the best temperature regulation and safety in accordance with various standards, NF EN 1111 (marque NF077), ASSE1016, NHS DO8, ...

■ **ONE GEOMETRY FOR A WIDE RANGE:**

A wide range of cartridges with various regulation standards and flow capacities for your different needs ( shower, bath, central thermostat, high and low pressure, high flow, ... ) with one single geometry. Standard temperature range: 15-60°C (59-140°F). Specific temperature ranges are available upon request.

■ **ANTI-LIMESCALE:**

A high technology thermoplastic polymer is used to minimize limescale adherence.

■ **SAFETY:**

The anti-scald function is individually checked on each cartridge.

■ **PRESETTING:**

Optionally, Vernet can pre-set the cartridges at a specific temperature, allowing integration in the valve without use of a thermal test rig.



Vernet



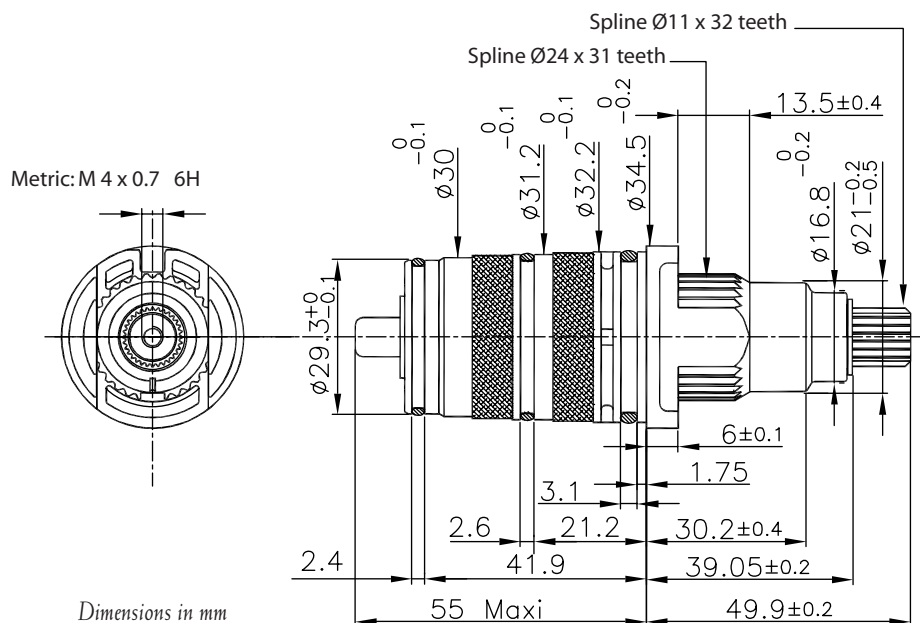
# TECHNICAL DATA

## The CA43 range

CA43 type	soft seat	Suitable for Regulation standard	Pressure	0.2 bar 2.9 psi	3 bar 43.5 psi	3 bar 43.5 psi	3.1 bar 45 psi
			Test method	NHS D08 LP	NFshower (A resistance)	NF bath (C resistance)	ASSE (free outlet)
			Vernet test body	¾" E5933	½" 6733	½" 6733	¾" E5933
CA43	no	NF, ASSE		7.5 l/min (2 gpm)	12 l/min (3.2 gpm)	20 l/min (5.3 gpm)	38 l/min (10 gpm)
CA43XB	yes	D08, ASSE		9 l/min (2.4 gpm)	12.5 l/min (3.3 gpm)	21 l/min (5.5 gpm)	49.2 l/min (13 gpm)
CA43L	no	ASSE		10 l/min (2.6 gpm)	13 l/min (3.4 gpm)	21.5 l/min (5.7 gpm)	57 l/min (15 gpm)
CA43G	yes	D08, ASSE		10 l/min (2.6 gpm)	13 l/min (3.4 gpm)	21.5 l/min (5.7 gpm)	57 l/min (15 gpm)
CA43PB	yes	None		14 l/min (3.7 gpm)	13.5 l/min (3.8 gpm)	22.5 l/min (5.9 gpm)	72 l/min (19 gpm)
CA43N	no	None		18 l/min (4.8 gpm)	14 l/min (3.7 gpm)	23 l/min (6.1 gpm)	88 l/min (23 gpm)

NF : French standard NF EN 1111 (marque NF077)  
 ASSE : American standard ASSE 1016  
 D08 : British standard NHS D08

## Dimensions



VERNET S.A. ■ 21-27 route d'Arpajon ■ OLLAINVILLE ■ BP 31 ■ 91291 Arpajon Cedex ■ France  
 Tél. : 33 (0) 1 69 26 82 82 ■ Fax : 33 (0) 1 60 83 03 03  
 www.vernet.eu ■ heating-sanitary@vernet.fr

This document is not contractual

CA43 THERMOSTATIC CARTRIDGE

